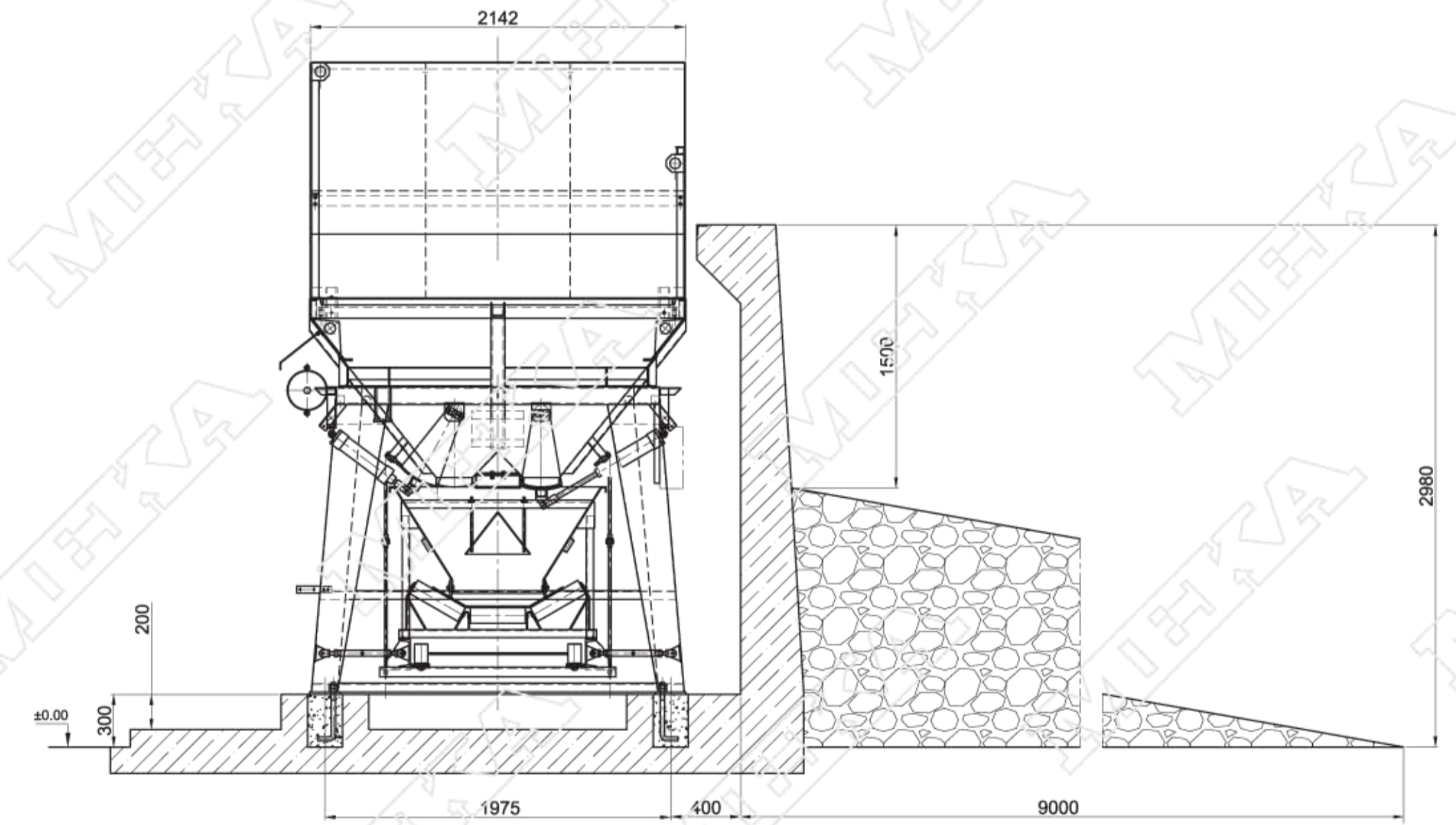
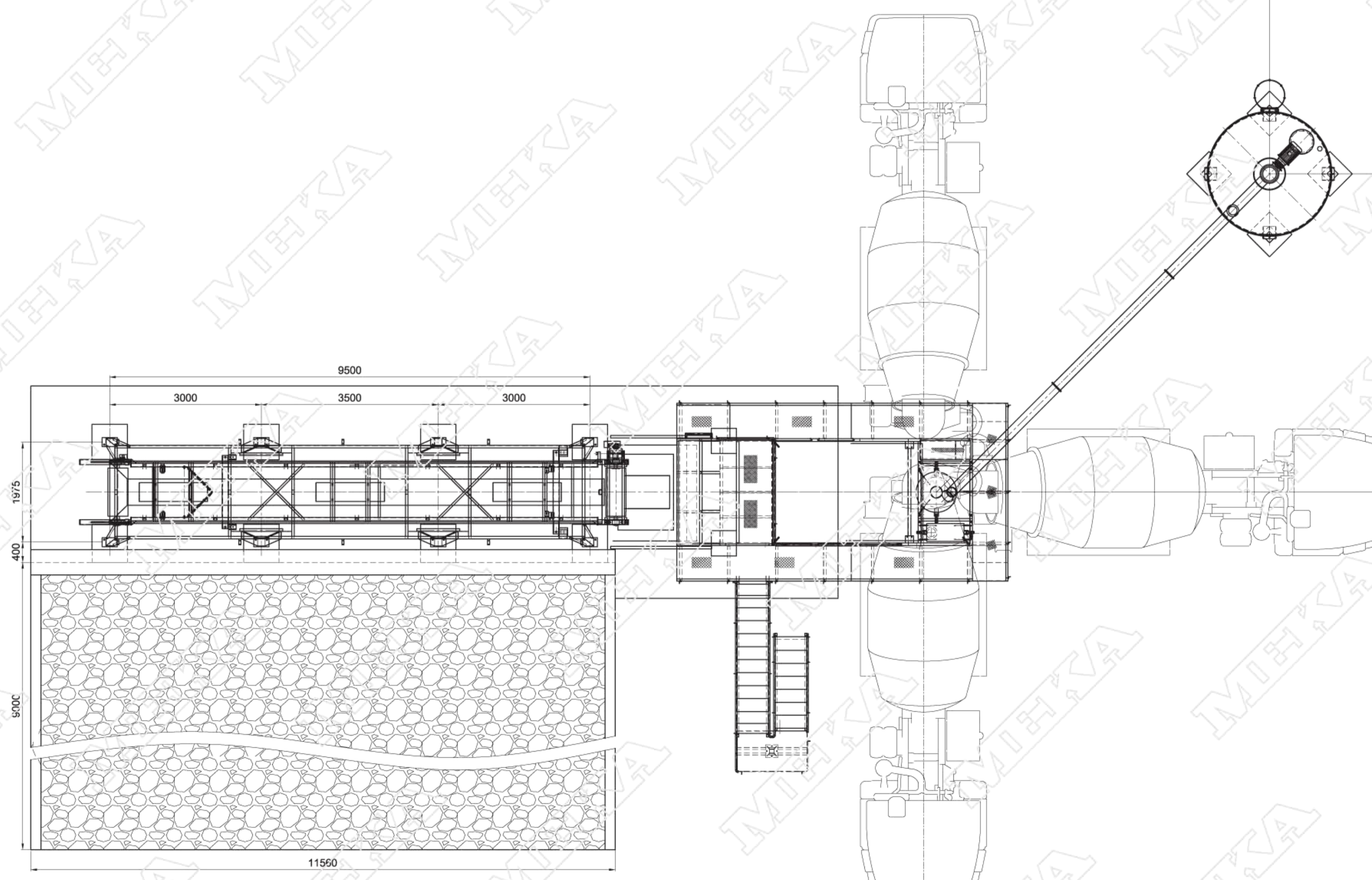


B BAKISI / SEE B



A BAKISI / SEE A

	TARİH Date	İSİM Name	İMZA Signature
YAPAN Prepared by	23.02.2011	Engin ERİK	
KONTROL Checked by		Erol AKCAN	
ONAY Approved by		Mehmet KAYBAL	
OLÇEK/Scale 1:60	STD		PEF RESİM NO/Ref.drw.no
30 m ³ /saat BETON SANTRALI YERLEŞİM PLANI 30 m ³ /h BATCHING PLANT SETTLEMENT PLAN			REV. RO
GENEL KOD/General code MEKA11-213-B00			RESİM NO/Drw.no 01



**BETON SANTRALLERİ İMALAT
SANAYİ ve TİCARET A.Ş.**
Adres Ostim Sanayi Sitesi 1233 Sok. (Eski 56) No:26-28-31
Yenimahalle/ANKARA
Tel:(0312) 385 52 55 Pbx Fax:(0312) 385 10 27